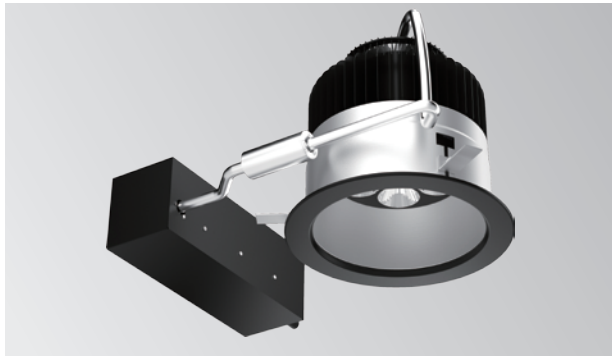


ADVANCED HIGH CEILING

# 8" REV Series - Retrofit



8-inch aperture high lumen recessed downlight with lumen output 7290 – 12905lm.



Quantity		Type	
Project		Note	

### Electrical System

- 8371lm (95W)
- 10685lm (125W)
- 12905lm (145W)
- Power Input: 120V or 277V
- Operating Temperature: -40°F~112°F
- Surge Protection: 4KV
- Emergency Pack with Mounting Plate: Bodine BSL20LV

### LED Technology

- 2700K, 3000K, 3500K, 4000K
- 85 CRI, 93 CRI
- Beam Angle: 20°, 35°, 50°, 100° (with diffuser)
- Rated Life > 60,000 hours (L70)

### Advanced Dimming

(Proprietary VX Driver is incorporated to all dimming options for video flicker-free lighting)

- **Superior 0-10V** : dims to 1%
- **DMX** : high resolution dims to 0.1% (Supports ANSI E1.20 RDM protocol)
- **TRIAC**: Line-voltage phase control, dims to 1% (**120V only**)
- **3-wire**: LUTRON Hi Lume 3-wire, dims to 1% (**UNV only**)
- **ECOsysteM**: LUTRON Hi Lume ECOsysteM, dims to 1% (**UNV only**)

### Retrofit

- Non-IC Rated, insulation must be kept > 1ft from housing.
- Aperture: 8.1" (207mm)
- Opening of Mounting Frame: 8.13" (207mm) to 9.1" (231mm) Max
- Oversize Trim: 9.13" (232mm)
- Maximum ceiling thickness: 1.5" (38mm)
- Light engine, optics, and driver(s) accessible from below ceiling
- Weight: 16.13lbs
- Goof Ring 14": Aluminum, standard white finish; O. D. 14.8"; other size and finish available, please inquire

### Warranty

- 5 years limited warranty.

### Listing

- ETL Listed
- FCC



# 8" REV Series - Retrofit



## How To Specify:

**Ordering Example: RS8R-125-308-120-SPV-20-SSR**

**4-5 weeks lead time on over 75% of specifications.**

Model	Wattage	CCT / CRI	Voltage	Dimming
<b>RS8R</b>				
<b>RS8R</b> REV 8 inch Retrofit	<b>95</b> 95W <b>125</b> 125W <b>145</b> 145W	<b>278</b> 2700K / CRI85 <b>308</b> 3000K / CRI85 <b>358</b> 3500K / CRI85 <b>408</b> 4000K / CRI85 <b>279</b> 2700K / CRI93 <b>309</b> 3000K / CRI93	<b>120</b> 120V <b>277</b> 277V	<b>NOD</b> Non-Dimming <b>SPV</b> Superior 0-10V dims to 1% <b>DMX</b> DMX dims to 0.1% (XLR Sockets) <b>DMX(RJ45)</b> DMX dims to 0.1% (RJ45 Sockets) <b>TRC</b> TRIAC dims to 1% (120V ONLY) <b>ECO</b> LUTRON ECOsystem dims to 1% (UNV ONLY) <b>3WIR</b> LUTRON 3-wire dims to 1% (UNV ONLY)

Beam Angle	Finish	Accessories
<b>20</b> 20° <b>35</b> 35° <b>50</b> 50° <b>WD*</b> 100° (with diffuser)	<b>BLK</b> Black <b>WHT</b> White <b>SSR</b> Semi-Specular	<b>SPD<sup>1</sup></b> Surge Protector <b>DF<sup>2</sup></b> Diffuser <b>GR12</b> Goof Ring 9.2" to 12" <b>GR14</b> Goof Ring 9.2" to 14"

\* Please factor in change in lumen output with diffuser (-20% with DF).

<sup>1</sup> Surge protector for up to 10KV. Applicable for unstable mains or facilities using high power machineries.  
<sup>2</sup> Please factor in change in lumen output with diffuser (-20% with DF).

# 8" REV Series - Retrofit



## Delivered Lumens\*

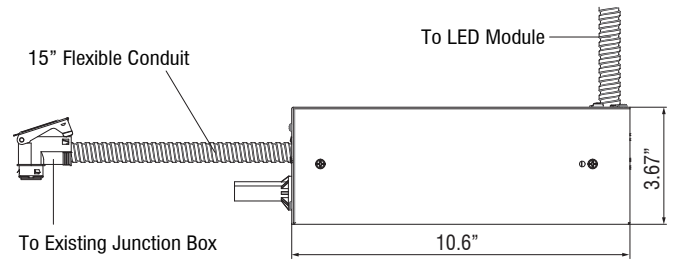
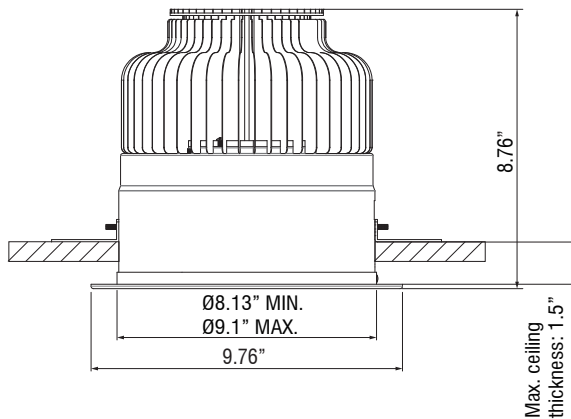
Wattage \ CCT	95W	125W	145W
	Beam Angle: 20°		
4000K	8371lm	10685 lm	12905 lm
3500K	8229 lm	10478 lm	12660 lm
3000K	7959 lm	10156 lm	12285 lm
2700K	7290 lm	9324 lm	11305 lm

\*Tolerance ±8%

## Current Consumption

Wattage \ Volt	120V	277V
95W	0.87A	0.38A
125W	1.15A	0.50A
145W	1.33A	0.58A

## Dimensions



# 8" REV Series - Retrofit



## DMX Requirements

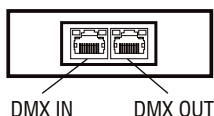
The 8" REV LED fixture with DMX is a **ONE CHANNEL DMX unit**.

**When placing order, please indicate DMX address.** (The DMX address will be listed on the back of the fixture.)

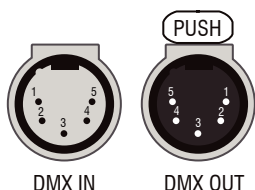
The LED fixture provide RJ45 Socket or XLR socket to connect. (DMX cable NOT included.)

The final fixture should be terminated by the use of DMX Terminator (by others).

### RJ45 Sockets



### XLR Sockets



CONNECTION	RJ45 (CAT5e)	5-PIN XLR
Common	WHITE/BROWN(PIN7) & BROWN(PIN 8)	PIN 1
Signal -	ORANGE(PIN 2)	PIN 2
Signal +	WHITE/ORANGE(PIN 1)	PIN 3
Spare	-	PIN 4
Spare	-	PIN 5

## Compatible TRIAC Dimmer List

LUTRON PART NO

RRD-6NA-	RRT-G5NEW-	RRT-GH	HQRD-10ND-	HQRT-GH	HQRD-HN	PD-10NXD-
RRD-6ND	RRT-G25LW-	HQRD-6NA-	MRF2-6ND-120-	HQRT-G25LW-	GT-250M-	PD-5NE-
RRD-10ND-	RRD-HN	HQRD-6ND-	MRF2S-6ND-120-	HQRT-G5NEW-	GTJ-250M-	